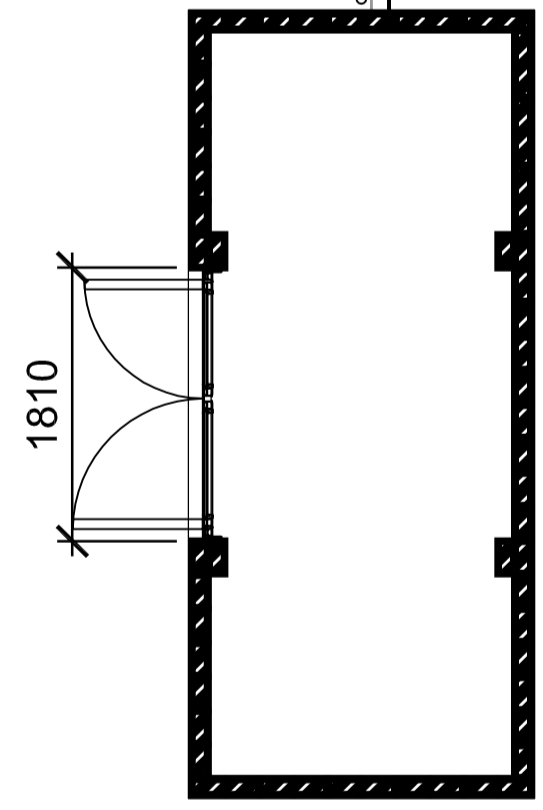


- Notes:**
- 1 This document is the property of Nottingham City Council and may not be used, copied or reproduced in whole or in part in anyway without express prior written consent.
 - 2 Any Ordnance Survey map shown on this drawing is reproduced from Ordnance Survey material with the permission of Ordnance Survey on behalf of the Controller of Her Majesty's Stationery Office a Crown Copyright. Unauthorised reproduction infringes Crown copyright and may lead to prosecution or civil proceedings. Nottingham City Council 100019317 2004.
 - 3 Do not scale from this drawing.
All dimensions to be taken from dimensioned drawings only. Dimensions shown are indicative and are to be checked on site prior to the commencement of work or ordering of any materials. Discovery of major discrepancies are to be immediately brought to the attention of the Contract Administrator.
 - 4 All drawings to be read in conjunction with all other contract documents.
 - 5 **Asbestos**
The contractor will be advised of the presence of any known asbestos materials in the property.
The contractor must view and sign the Asbestos Log Book which is retained in all Nottingham City Council properties.
If the contractor discovers any material which they feel may contain asbestos, they must cease work immediately and contact the Contract Administrator for further instructions.
All asbestos materials identified for removal must be removed by an approved licensed contractor.
A method statement will be required for any such work.
 - 6 **Safety Standards**
It is the aim of Nottingham City Council that all construction or related projects are carried out to the highest safety standards to ensure as far as is reasonably practicable that the project is completed safely with no major accidents or injuries. Operatives, authorised visitors and members of the public should not be put at risk during the works.

Contract

Church Street



Revisions:	Drawn	Checked	Date
------------	-------	---------	------

Design Services
Resources Department
Severns House
20 Middle Pavement
Nottingham
NG1 7DW
Tel. 0115 915 5555
Fax. 0115 915 8156

Project
**Edna G Olds Primary School
Proposed Nursery**
Title
**Proposed
Upper Level & Windows**

Scale:	Ward:	Area Committee:	8
1:50	Dunkirk & Lenton		
Drawn:	Checked:	Date:	
KNS	ZT	07-11-07	

A Drawing No:
EDU 534 / 011